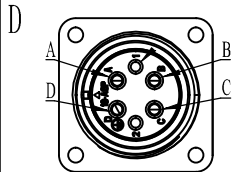
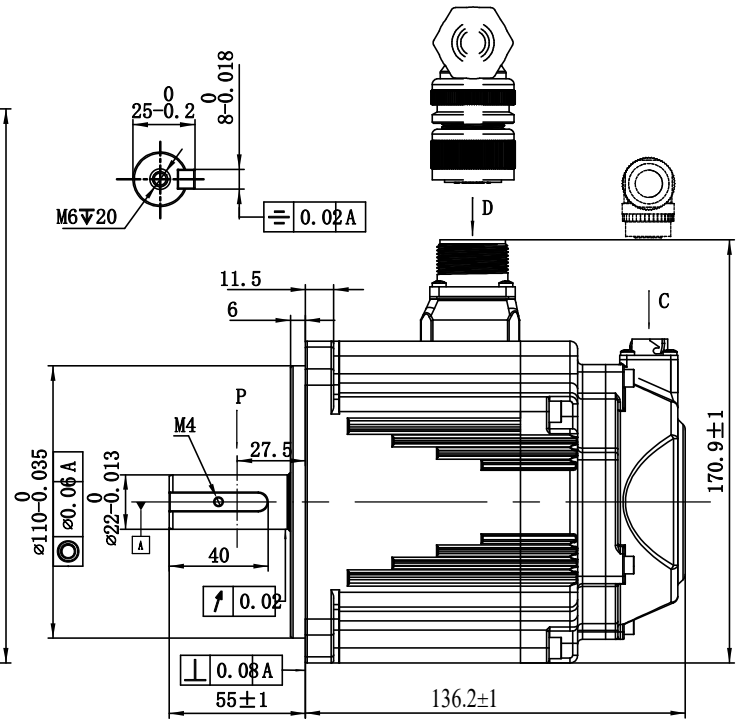
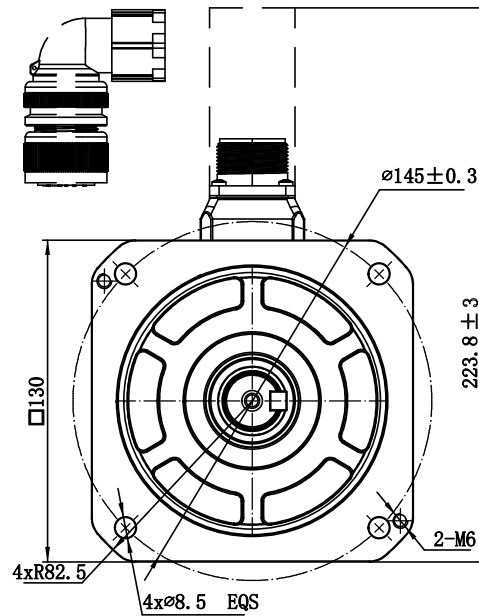
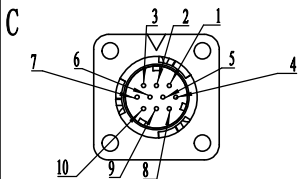


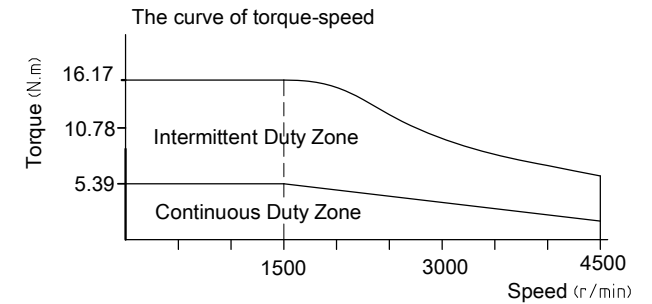
Rated Voltage (Vac)	220
Rated Power (w)	850
Rated Torque (N.m)	5.39
Peak Torque (N.m)	16.17
Rated Speed (rpm)	1500
Peak Speed (rpm)	4500
Rated Current (Amp)	6.8
Peak Current (Amp)	20.4
Torque Const (N.m/Amp)	0.79
Back EMF Const(V/Krpm)	47.9
Resistance(Ω)	$0.87 \pm 10\%$
Inductance(mH)	$8.3 \pm 20\%$
Inertia ($\text{kg} \cdot \text{m}^2 \cdot 10^{-4}$)	12.5
Poles	10
Encoder type	23bit optical
IP rating	IP67
Mass (Kg)	5.5
Allowable radial load(N)	686(P)
Allowable thrust load(N)	196



Assignment of power connector				
Pos	A	B	C	D
Signal	U	V	W	PE



Assignment of encoder connector							
Pos	2	3	4	5	6	7	10
Signal	5V	0V	SD+	SD-	BAT+	BAT-	PE



S2M130F850X-TS

130mm , high inertia , 850w servo motor
23bit optical encoder, no brake